

RUBBERFIT

We fit the best, best.

Extrusions Catalogue

Now Available At

GLASFIT

We fit the best, best.

Rubber Extrusions

Rubber extrusions are made by extruding rubber through a profile. These extrusions come in many shapes and sizes. Pinchweld have metal braces embedded in the rubber, this allows the rubber to hold onto panels plates or lids, Extrusions come in solid rubber, sponge rubber and pvc. Extrusions can also have features like weave patterns for interior finishing and flocking for where windows move and cause a lot of friction.

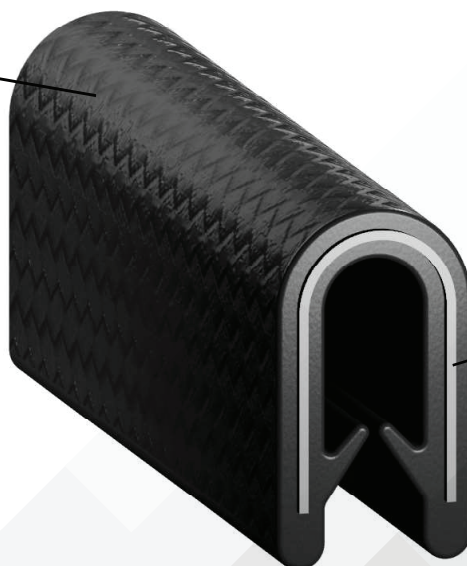


Metal brace

Flocking



Weave pattern



Metal brace

Natural rubber

Produced from a tropical tree. For over one hundred years rubber was based on natural rubber

Ethylene propylene diene monomer (EPDM)

Used for glazing and refrigeration extrusions. Good heat resistance, excellent weather resistance and good low temperature resistance

Nitrile (NBR)

Used in 'O' rings with good mechanical properties. Excellent resistance to oils and fuels and good alkali acid resistance.

Nitrile food quality (NFQ)

Food gaskets, buffers and liners. Good oil and heat resistance
Non-toxic
Non-swelling

Synthetic rubber

Made in factories from crude oil since the 1930s. Rubber compound will have +_ 18 Ingredients

Silicone

Extreme temperature like oven door seals. Heat resistance up to 250C, excellent weather resistance and moderate fuel resistance.

Neoprene (CR)

Used in oil and fuel gaskets, good mechanical properties and excellent weather resistance
Flame resistant

Polyvinyl Chloride (PVC)

Used to extrude pinch weld and building profiles. Good for UV resistance
Non-marking

Rubber is used in a wide range of products

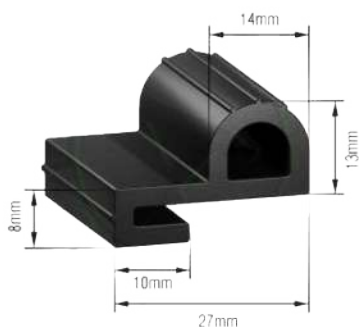
Tyres, tubes, engine mountings, screen door universal extrusions, building profiles, sheeting, flooring, hoses, footwear, belting, tubing, gaskets, cables, grommets, bushes, rollers, handle grips, tools, bakkie mats, trailer, mats, mudflaps, diving suits, elastic, balloons, condoms, tank linings, pipelines, gloves, fan belts, oil seals, dummies, bottle treats, squash balls, tennis balls, golf balls, rugby balls and much more...

Rubber adds to quality of life

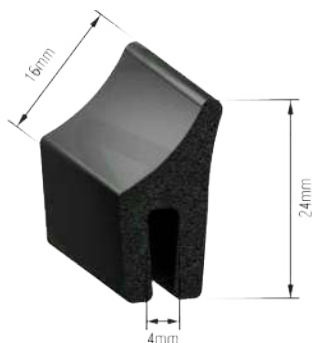
Without rubber we would have
Noisy, wet and bumpy cars. No gum to chew. Crying babies without rubber nipples. No Balloons for celebrations no soft wheels for road transportation and no condoms for safe sex.

Index

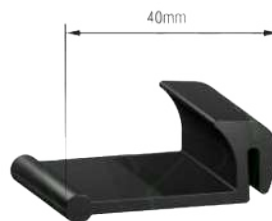
Doorseal	1-4
U Channel	5-6
Bootseal	7
Butyl	8
Glazing rubber	9
Scrapers	10
Engine Compartment	11
Window channel	12
Edge trim	13-14
Screen Rubber	15-16
1/4 Vent Seal	17
Caravan Seals	18
Canopy Seals	19



PR131 EPDM/Sponge
Rooftop seal



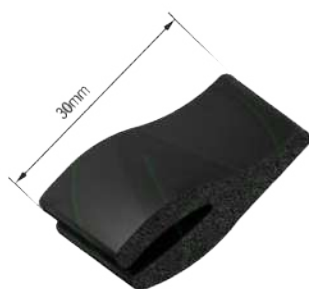
PR132 EPDM/Sponge
Nose Cone seal (lid)



PR137 EPDM
Fleetline Bottom Doorseal



PR152 EPDM
Karman Ghia Bottom Doorseal



PR196 EPDM/Sponge
Nose cone to body seal



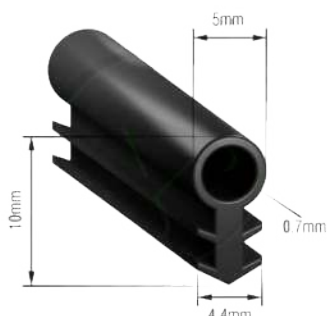
PR198 EPDM
Fleetline bottom doorseal



PR1102 EPDM/Sponge
Lid Seal



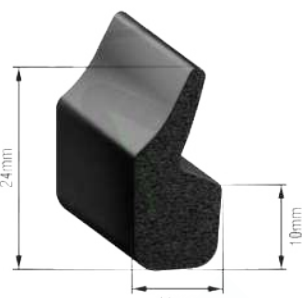
PR1142 EPDM
Bottom Door Seal



PR1246 EPDM
Bubble wedge



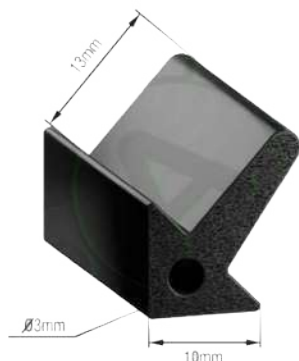
PR310 EPDM/Sponge
Universal door seal



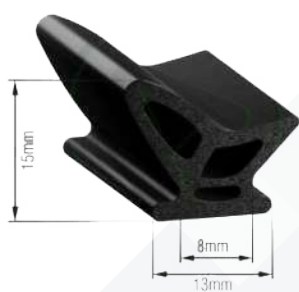
PR311 EPDM/Sponge
Universal door seal for VW Beetle, Kombi, Merc Bulnose



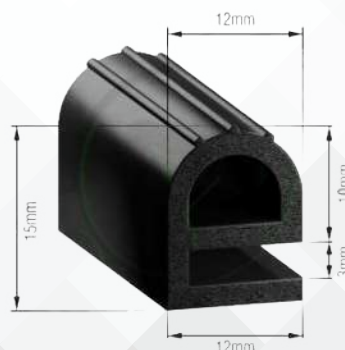
PR312 EPDM/Sponge
Universal door seal for Hilux, old Chevs



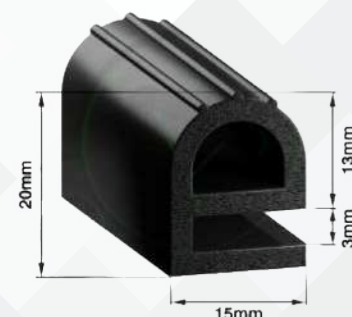
PR313 EPDM/Sponge
Universal Doorseal for most Nissan/Datsun doors



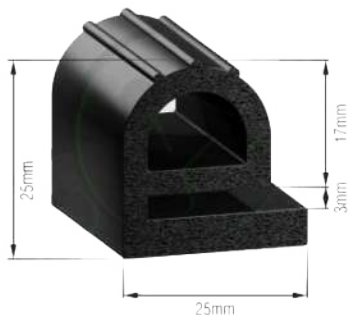
PR314 EPDM/Sponge
Universal Doorseal for most Nissan/Datsun doors



PR316 EPDM/Sponge
Universal Small E Seal used on canopies and various lid seals

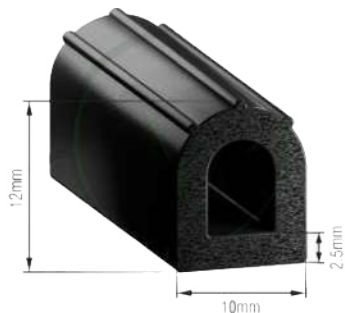


PR317 EPDM/Sponge
Universal Medium E Seal used on canopies and various lid seals



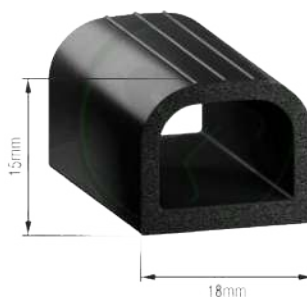
PR318 EPDM/Sponge

Universal Large E Seal used on canopies and various lid seals



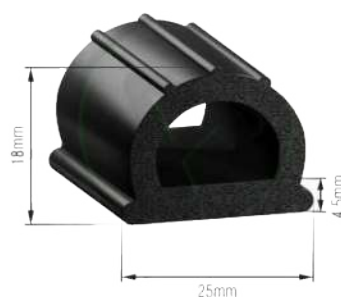
PR319 EPDM/Sponge

Universal Small D Seal used on canopies and various lid seals



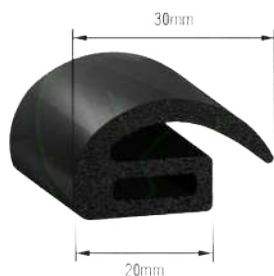
PR320 EPDM/Sponge

Universal Medium D Seal used on canopies and various lid seals



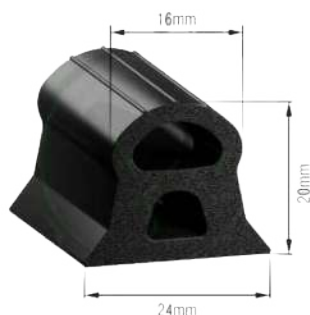
PR321 EPDM/Sponge

Universal Large D Seal used on canopies and various lid seals



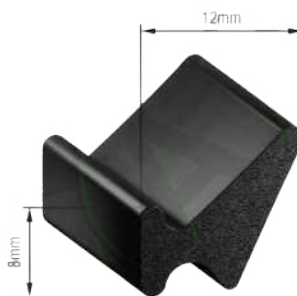
PR324 EPDM/Sponge

Universal door seal for Land Rover



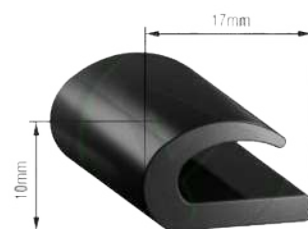
PR325 EPDM/Sponge

Universal Double D Seal used on canopies and various lid seals



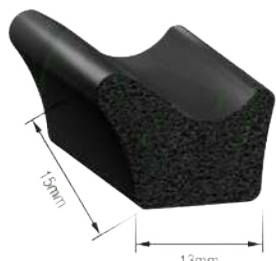
PR328 EPDM/Sponge

Universal doorseal for Volvo



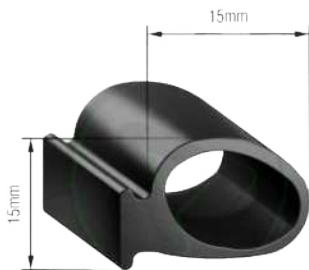
PR330 EPDM

Universal top doorseal



PR331 EPDM/Sponge

Universal lid seal for trailers



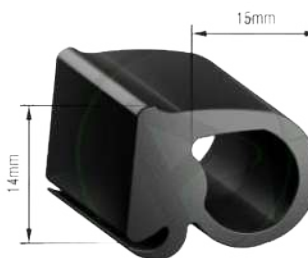
PR334 EPDM

Universal Jaguar Doorseal



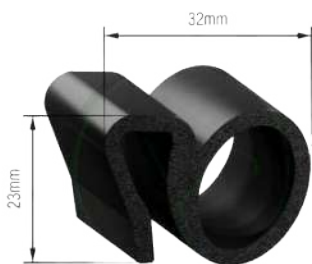
PR328 EPDM

Universal door seal for Morris Minor



PR330 EPDM

Universal doorseal for Alfa



PR350 EPDM/Sponge

Ford F100/F250 Doorseal



PR351 EPDM/Sponge

Universal Doorseal for trucks, Mercedes truck Doorseal



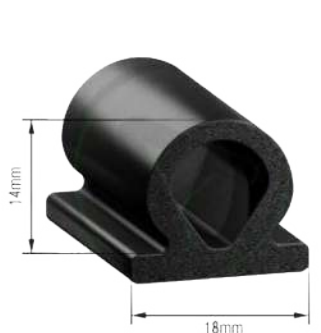
PR353 EPDM/Sponge

Universal Golf MK1 Doorseal



PR358 EPDM/Sponge

Ford F100/F250 Doorseal



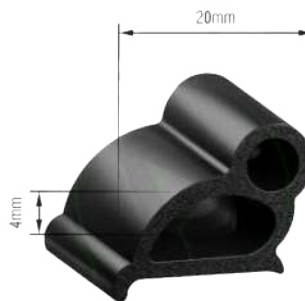
PR361 EPDM/Sponge

Universal D Seal used on various lids



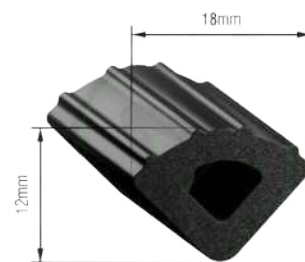
PR367 EPDM

Small Door Seal



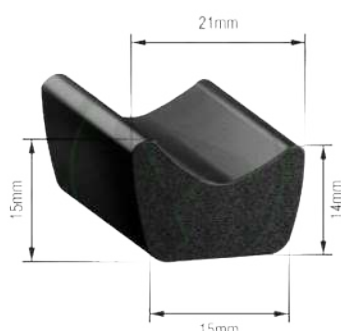
PR373 EPDM/Sponge

Universal Doorseal



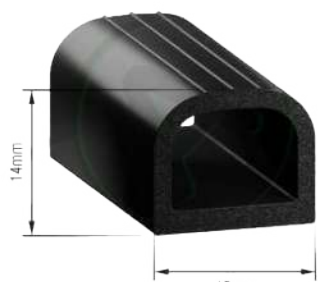
PR379 EPDM/Sponge

Universal Corner sponge



PR380 EPDM/Sponge

Universal trailer lid seal



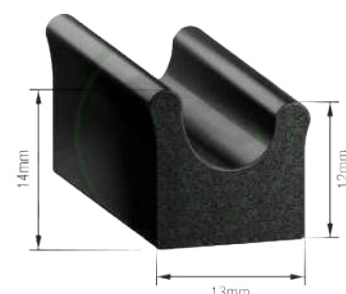
PR3310 EPDM/Sponge

Universal Medium D Seal used on canopies and various lid seals



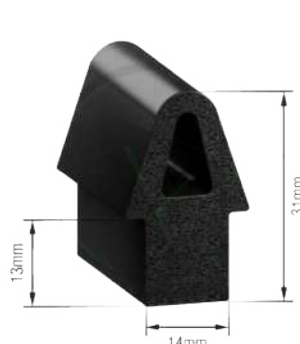
PR3305 EPDM/Sponge

Universal Large D Seal used on canopies and various lid seals



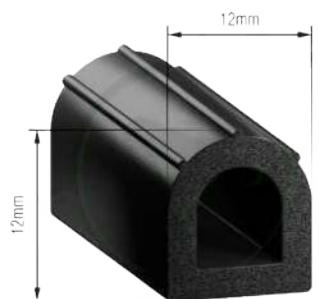
PR3312 EPDM/Sponge

Universal Trailer lid seal



PR3316 EPDM/Sponge

Universal D Seal used on canopies and various lid seals



PR3324 EPDM/Sponge

Universal Small D Seal used on anopies and various lid seals



PR3326 EPDM/Sponge

Small Door Seal



PR3328 EPDM/Sponge

Caravan door seal



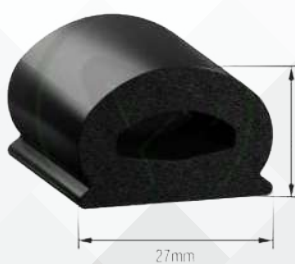
PR3333 EPDM/Sponge

Large Door Seal



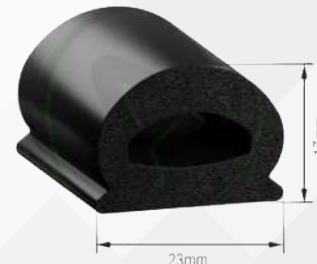
PR3336 EPDM/Sponge

Small door seal



PR3343 EPDM/Sponge

Universal D Seal used on canopies and various lid seals



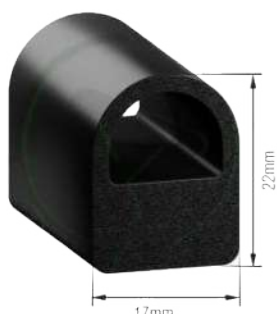
PR3345 EPDM/Sponge

Universal D Seal used on canopies and various lid seals



PR3353 EPDM/Sponge

Universal D Seal used on canopies and various lid seals



PR3354 EPDM/Sponge

Universal D Seal used on canopies and various lid seals



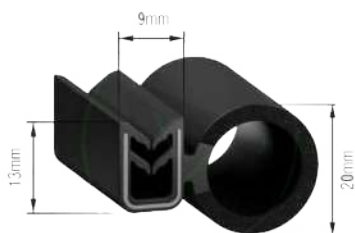
PR600 EPDM/Sponge

Doorseal With Lip



PR601 EPDM/Sponge

Earthmoving Doorseal



PR602 EPDM/Sponge

20mm Doorseal



PR603 EPDM/Sponge

Medium Doorseal



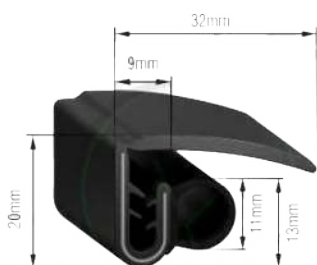
PR604 EPDM/Sponge

Lipped Doorseal



PR607 EPDM/Sponge

Truck Doorseal



PR611 EPDM/Sponge

Caravan Doorseal



PR3357 EPDM/Sponge

Chev Doorseal



PR17 EPDM/Sponge

Import Large D seal



PR5419 EPDM/Sponge

Mercedes DoorSeal



PR5179 EPDM

Golf MK1 Top Doorseal



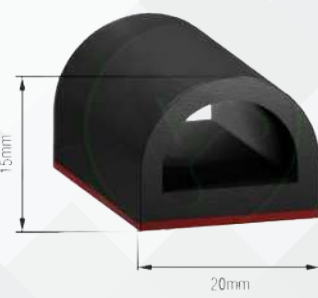
DE7744 EPDM/Sponge

Ranchero Top Doorseal



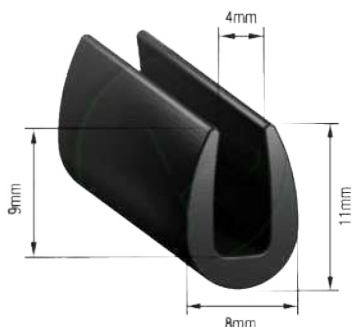
DE7545 EPDM/Sponge

Datsun Top Doorseal



PR631 EPDM/Sponge

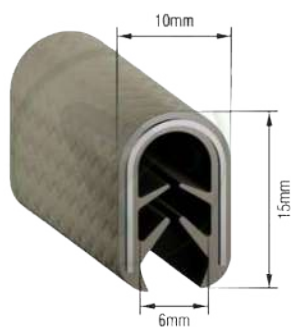
Medium D Rubber with adhesive



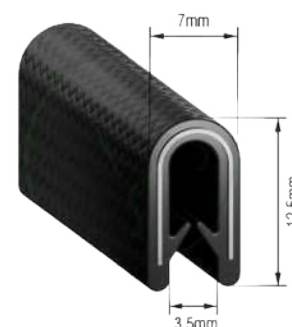
PR116 EPDM
Canopy U-Channel



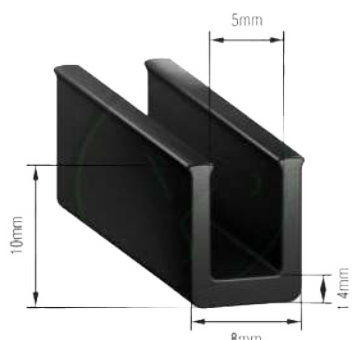
PR117B PVC
Large Black Pinchwelt



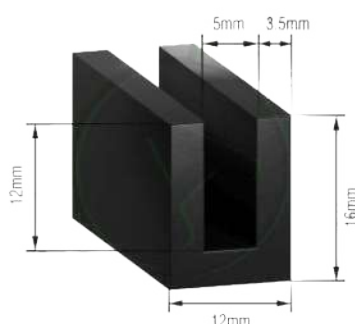
PR117G PVC
Large Grey Pinchwelt



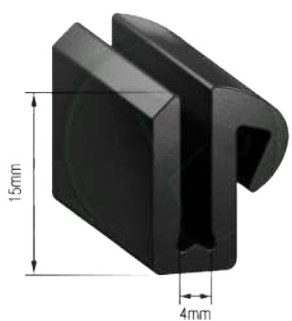
PR118 PVC
Small Pinchwelt



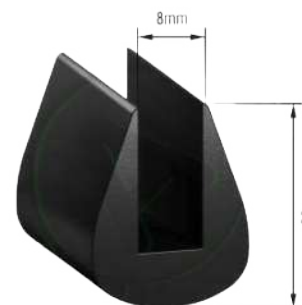
PR180 EPDM
U-Channel



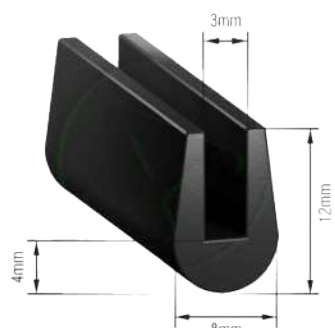
PR181 EPDM
Medium U-Channel



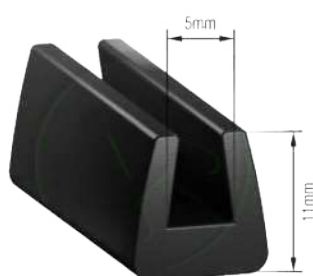
PR184 EPDM
U-Channel with Lip



PR1106 EPDM
Large U-Channel



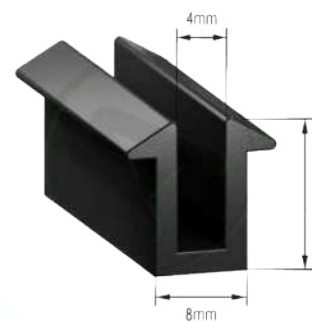
PR1109 EPDM
U-Channel



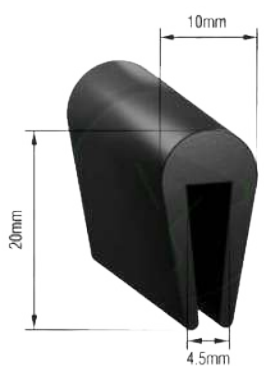
PR1128 EPDM
Medium U-Rubber



PR1129 EPDM
Small U-Channel



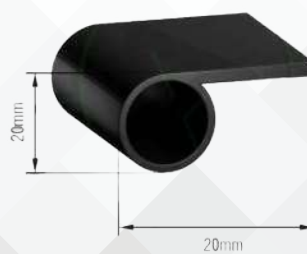
PR1137 EPDM
U-Channel



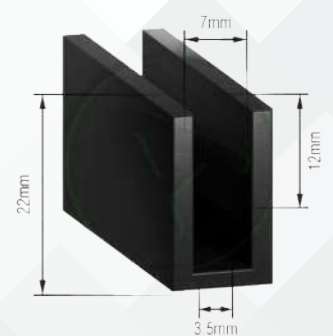
PR1139 EPDM
4.5mm U-Channel



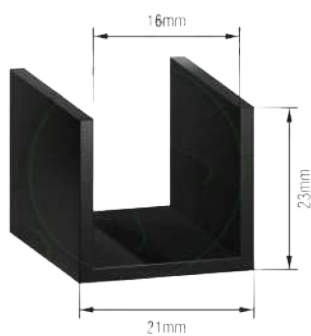
PR1159 EPDM
U-Channel



PR1200 EPDM
Thin wall U channel



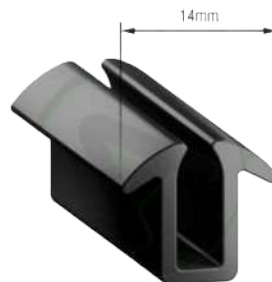
PR1213 EPDM
Square U Channel



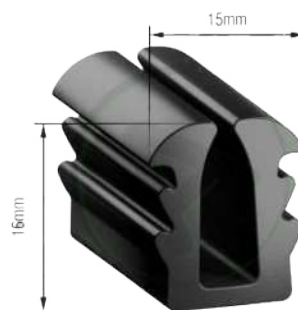
PR1330 EPDM
U-Channel



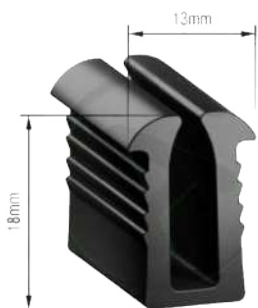
PR555 EPDM



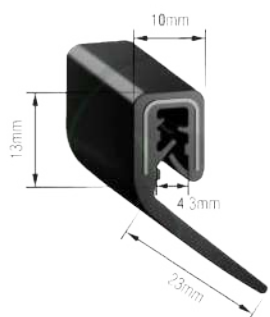
PR272 EPDM
Canopy Fixed Side Glass Rubber



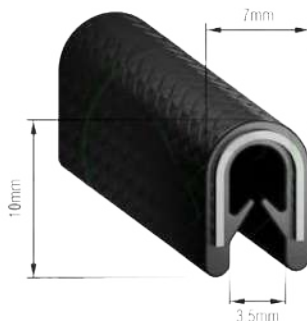
PR276 EPDM
Window Frame Trim Small



PR277 EPDM
Window Frame Trim Large



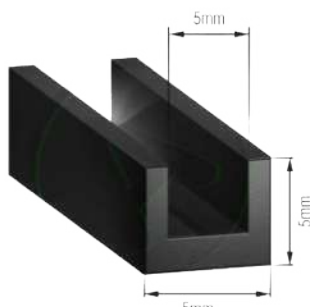
PR3329 EPDM
Pinchwelt with lip



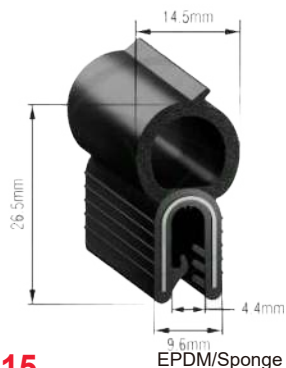
PR615 EPDM
Small Pinchwelt



PR630 EPDM
Extra Small Pinchwelt

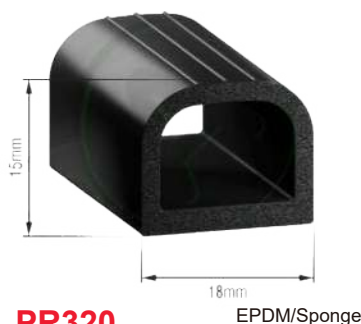


PR5218 EPDM
U Channel



PR315 EPDM/Sponge

Universal bootseal, VW, Nissan, Toyota, Mazda



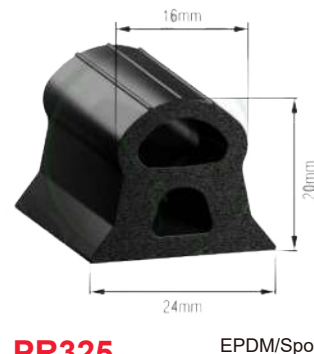
PR320 EPDM/Sponge

Universal Medium D Seal used on canopies and various lid seals



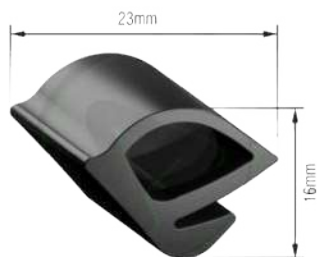
PR321 EPDM/Sponge

Universal Large D Seal used on canopies and various lid seals



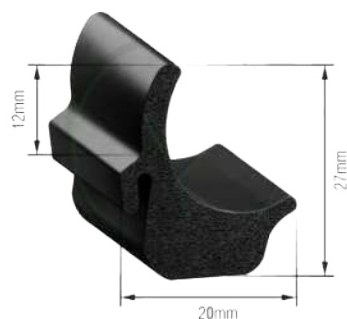
PR325 EPDM/Sponge

Universal Double D Seal used on canopies and various lid seals



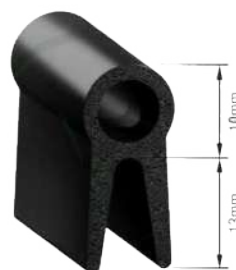
PR337 EPDM

Universal Bootseal for the Leyland Mini



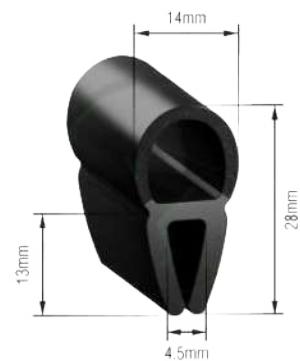
PR354 EPDM/Sponge

Universal Bootseal for Mercedes



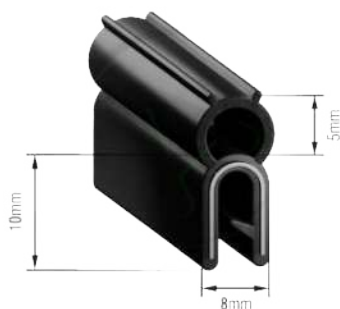
PR359 EPDM/Sponge

Universal Sponge Bootseal



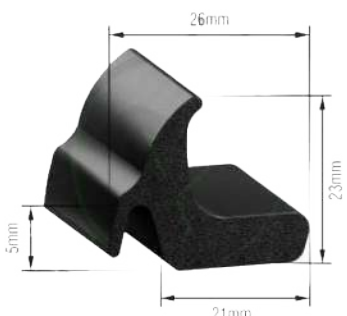
PR365 EPDM/Sponge

Universal bootseal



PR366 EPDM/Sponge

Small Boot Seal



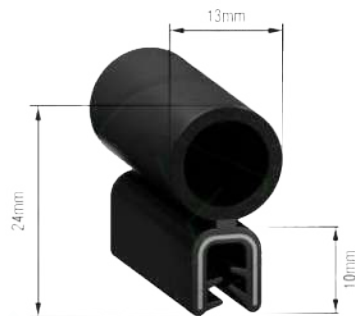
PR3301 EPDM/Sponge

Universal Boot Seal - Volvo, Mercedes



PR3330 EPDM/Sponge

Universal Bootseal, Commonly used on Canopies



PR605 EPDM/Sponge

Bootseal



PR606 EPDM/Sponge

Bootseal with Lipjhjh



PR3301 EPDM/Sponge

Universal Boot Seal - Volvo, Mercedes



PR3330 EPDM/Sponge

Universal Bootseal, Commonly used on Canopies

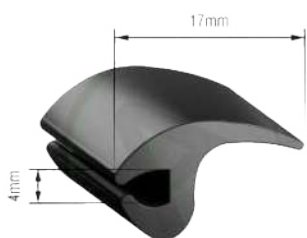


PR605 EPDM/Sponge

Bootseal



PR183 EPDM
Windscreen Trim



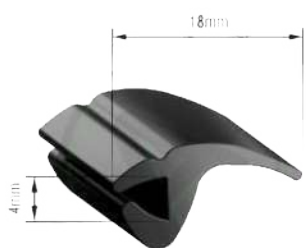
PRB100 EPDM
16mm-17mm Glue in Windcreens Profile



PRB101 EPDM
20mm Plain Glue in Windcreens Profile



PRB102 EPDM
22.5mm Plain Glue in Windcreens Profile



PRB103 EPDM
18mm With Groove - Glue in Windcreens Profile



PRB104 EPDM
20 mm With Groove - Glue in Windcreens Profile



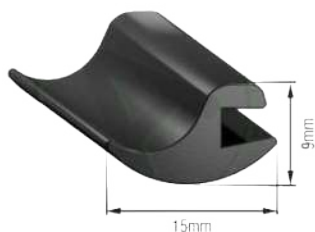
PRB106 EPDM
27 mm Plain - Glue in Windcreens Profile



PR263 EPDM
Universal Windscreen Beading



PR264 EPDM
Universal Windscreen Beading



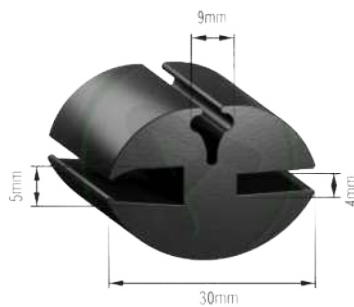
PR279 EPDM
Universal Windscreen Beading



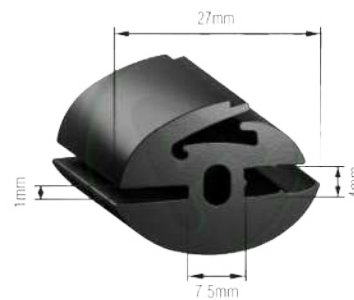
PR213 EPDM
Locking Strip For Canopy Glazing Rubber



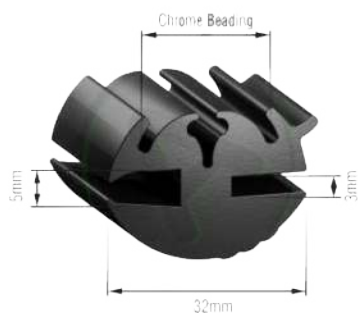
DE7718 EPDM
4mm Canopy Glazing Rubber



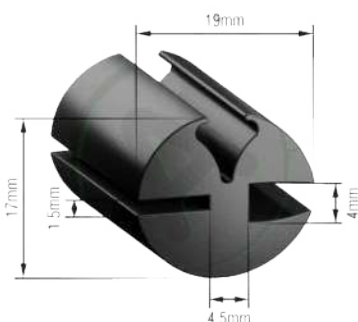
PR215 EPDM
Universal Canopy Glazing Rubber
6.38mm Glass



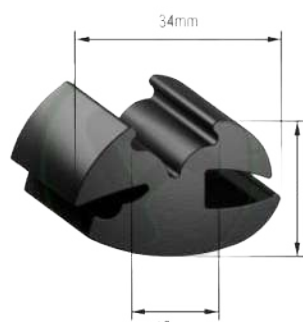
PR216 EPDM
Self Locking Glazing Rubber 4mm x 1mm



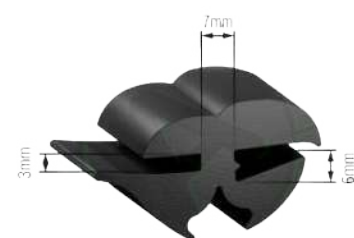
PR223 EPDM
Universal Jaguar MK1 Windscreen Rubber
(no chrome incl)



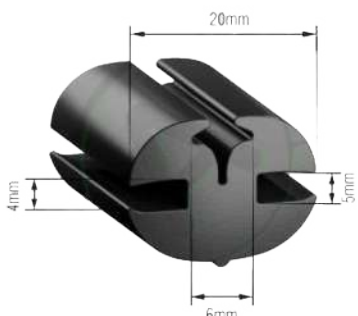
PR233 EPDM
Small Glazing Rubber 4mm x 1.5mm



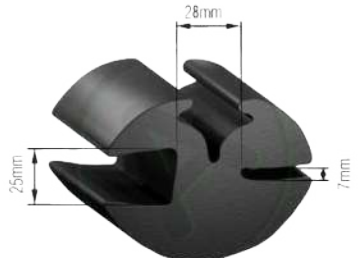
PR244 EPDM
Leyland Mini Windscreen and
Rearscreen Rubber



PR256 EPDM
Glazing Rubber



PR265 EPDM
5 x 4 Glazing Rubber



PR2275 EPDM
6 x 1.5 Glazing Rubber



PR564 EPDM
Canopy Glazing Rubber



DE0154 EPDM
Small Glazing Rubber



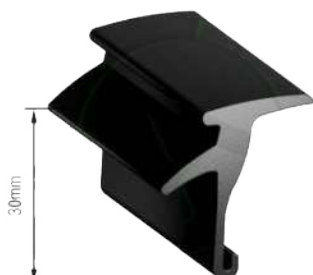
PR111 EPDM

Universal Scraper



PR136 EPDM

Univerdsal Beetle Scraper



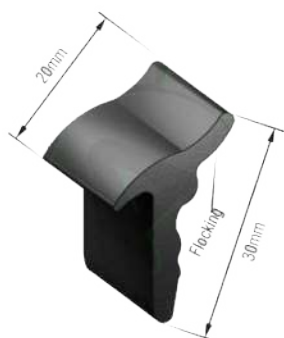
PR145 EPDM

Karmann Ghia Scraper



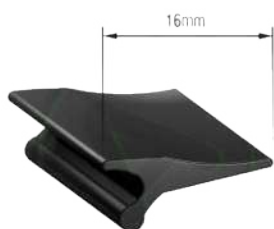
PR158 EPDM

Universal Beetle scraper



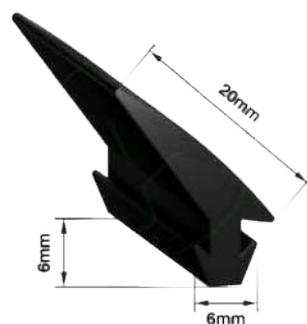
PR166 EPDM

Universal Window scraper



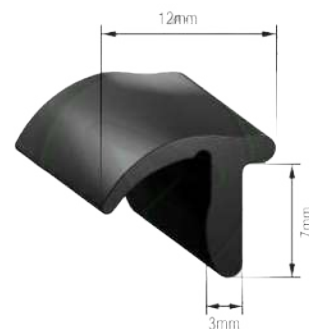
PR175 EPDM

Volvo Scraper



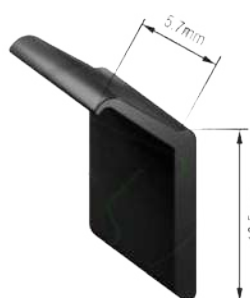
PR1226 EPDM

Scraper Rubber



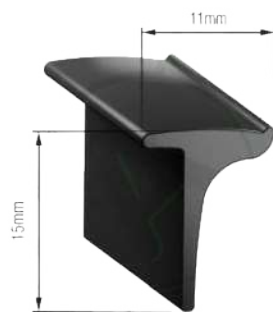
PR5440 EPDM

Nissan 1400 Inner scraper



PR5441 EPDM

Nissan outer Scraper



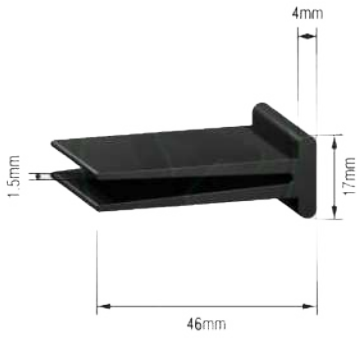
PR275 EPDM

T - Section



DE8151 EPDM

Mazda Scraper



PR154 EPDM

Engine Compartment Seal



PR155 EPDM

Engine Compartment Seal



PR329 EPDM

Universal seal for beetle bonnet and engine lid



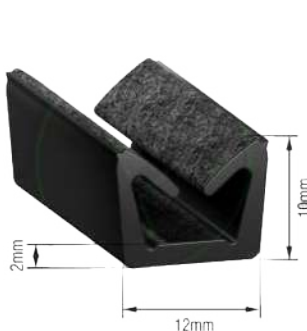
PR345 EPDM

Karmann Ghia Bonnet Seal

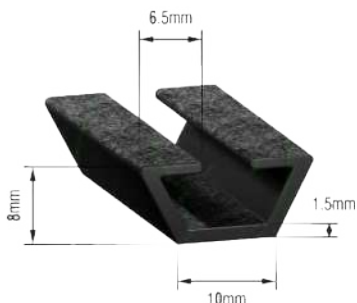


PR5471 EPDM

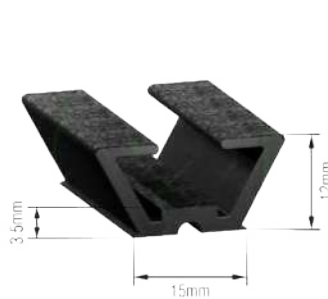
Volvo Bonnet Seal



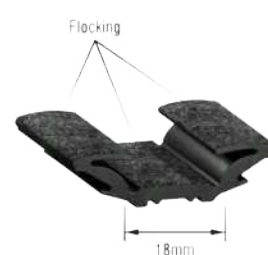
PR119 EPDM
12mm Window Channel



PR120 EPDM
10mm Window Channel



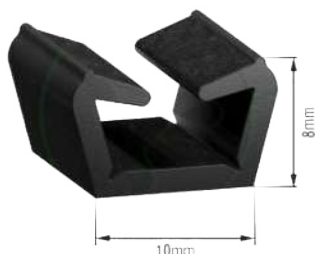
PR121 EPDM
15mm Window Channel



PR122 EPDM
18mm Window Channel



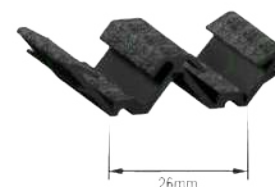
PR123 EPDM
Double window channel



PR5531 EPDM
10mm Window Channel Thick Wall



PR187 EPDM
Golf MK1 Window Channel



DE7878 EPDM
Flexible Double Channel



DE7890 EPDM
Carry Boy Window Channel



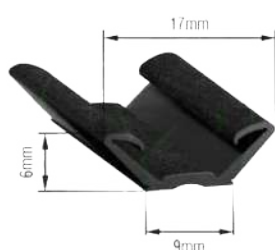
PR609 EPDM
Window Channel



PR613 EPDM
15mm Window Channel



PR614 EPDM
20mm Window Channel



PR617 EPDM
Small Window Channel



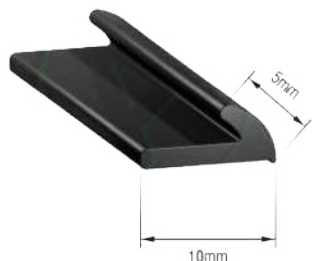
PR620 EPDM
Mini Window Channel Winding window



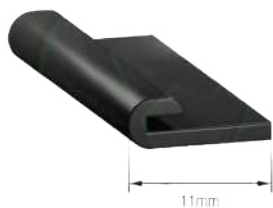
PR33 EPDM
Window Channel With lip



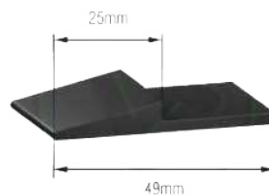
PR34 EPDM
Window Channel With lip



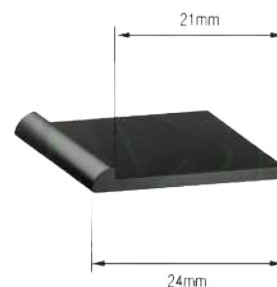
PR197 EPDM
Edge Trim



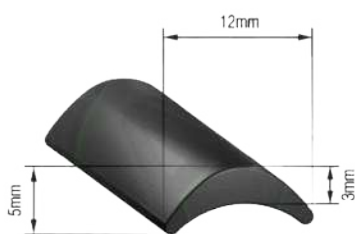
PR1112 EPDM
Edge Trim



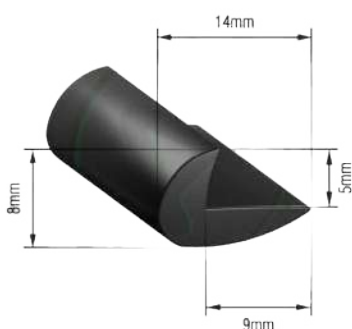
PR1113 EPDM
Carpet Edge



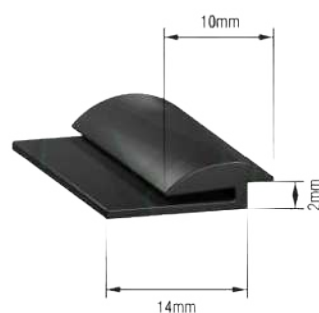
PR1143 EPDM
Edge Trim



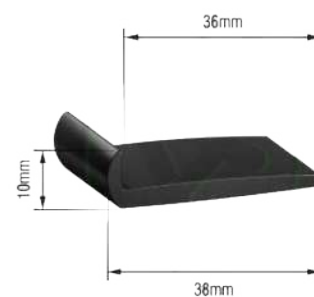
PR1154 EPDM
Aluminium Trim



PR1161 EPDM
Canopy Trim



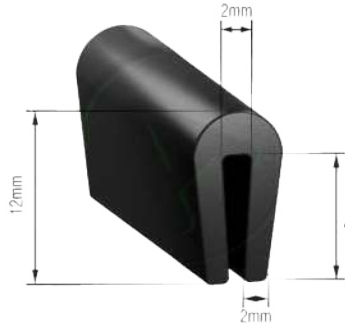
PR1178 EPDM
Universal Wheel Arch Trim



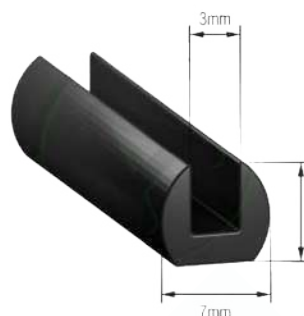
PR1193 EPDM
Carpet Edge



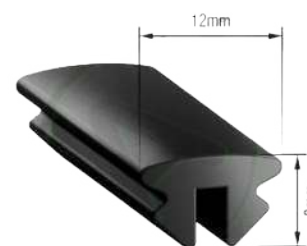
PR1220 EPDM
Solid Bubble wedge



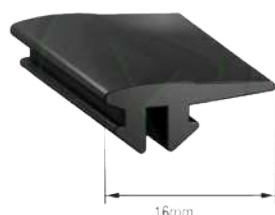
PR1286 EPDM
Universal Wheel Arch Trim



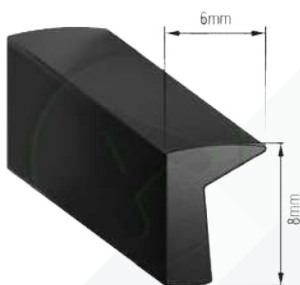
PR1337 EPDM
Caravan Beading



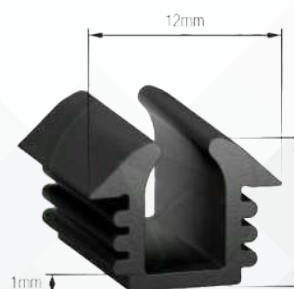
PR270 EPDM
Canopy Frame Wedge/ Roof rack wedge



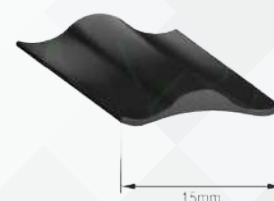
PR271 EPDM
Canopy Frame Wedge/ Roof rack wedge



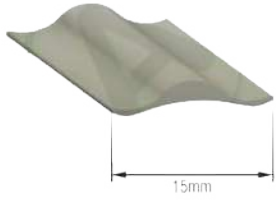
PR149 EPDM
Ghia Seal



DE7973 EPDM
Small Trim Rubber



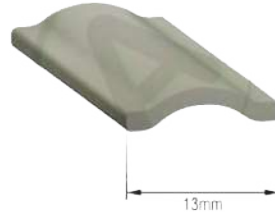
PR490B EPDM
Thin Aluminium Trim Black



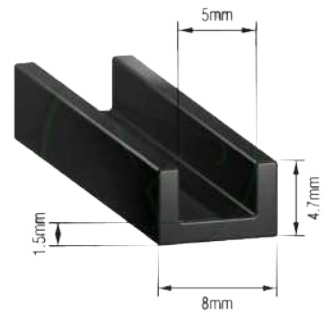
PR490W PVC
Thin Aluminium Trim White



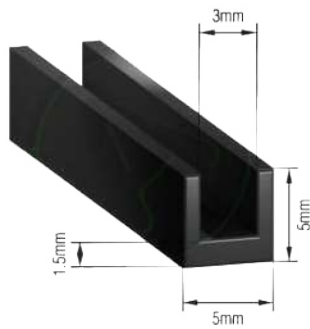
PR491B PVC
Thick Aluminium Trim Black



PR491W PVC
Thick Aluminium Trim White



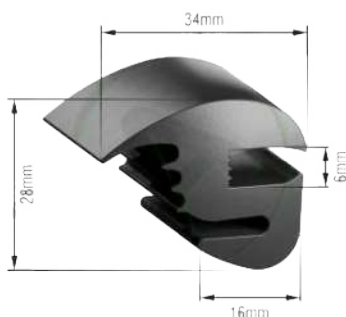
PR113 EPDM
Large lens seal



PR114 EPDM
Small lens seal



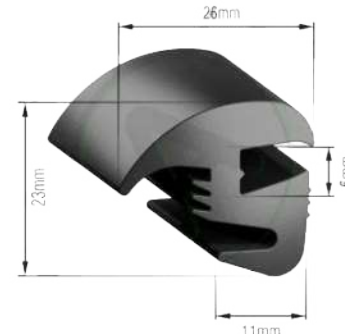
PR153 EPDM
Triumph Bottom Windscreen



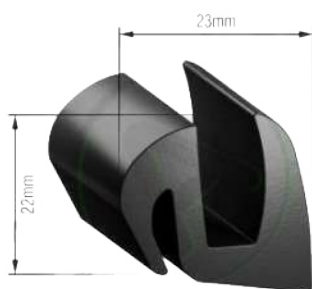
PR210 EPDM
Windscreen Rubber: Ford Cortina, Ford F250



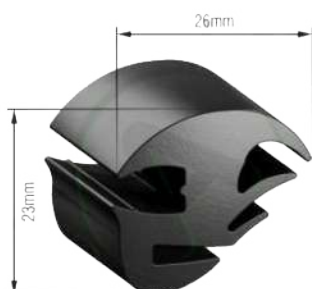
PR211 EPDM
W/S & R/S rubber: Ford Escort, Vw Beetle



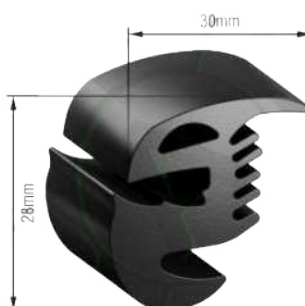
PR212 EPDM
Universal S-Type Windscreen Profile



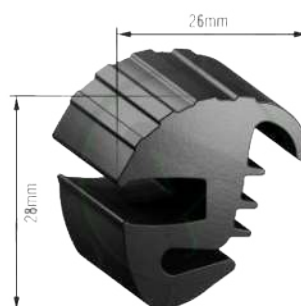
PR217 EPDM
Universal S Type Windscreen & Rear screen for Old Chevrolet & Ford Pick ups



PR218 EPDM
Universal Golf MK1 Windscreen /Rear screen Rubber



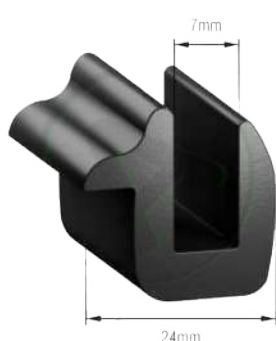
PR219 EPDM
Universal VW Kombi Screen Rubber (70-80)



PR220 EPDM
Universal Ford Anglia Screen Rubber



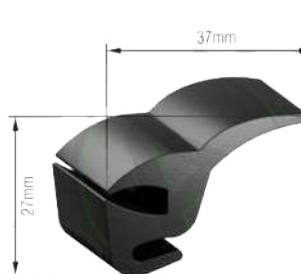
PR221 EPDM
Alfa W/S & R/S rubber CAL look



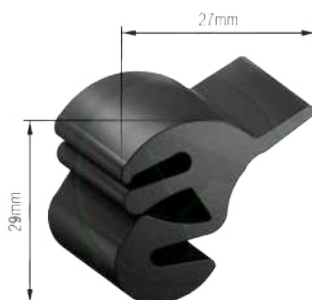
PR222 EPDM
Universal Screen Rubber



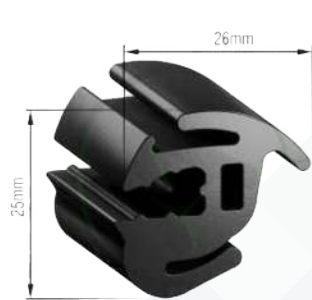
PR224 EPDM
Universal Morris Minor 1000 Front Windscreen Rubber



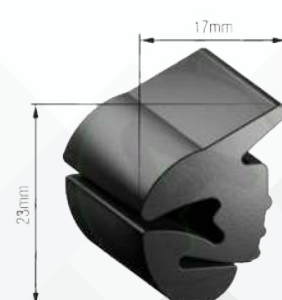
PR225 EPDM
Universal Morris Minor 1000 Rear Windscreen Rubber



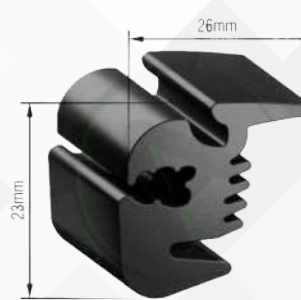
PR226 EPDM
Renault Dolphin W/S Rubber



PR227 EPDM
Volvo W/S & R/S rubber for chrome Beading



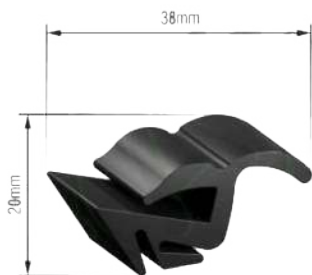
PR228 EPDM
Universal Split screen kombi Screen Rubber



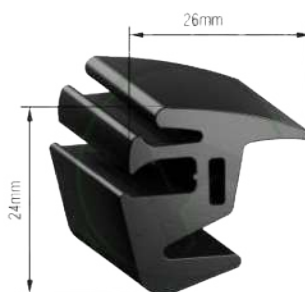
PR230 EPDM
Universal Beetle Chrome Screen Rubber (- does not include chrome beading)



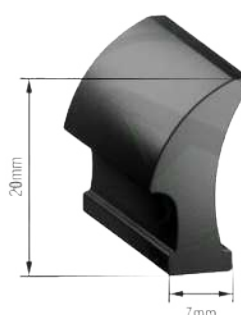
PR231 EPDM
Universal Morris Minor 850 Split Rear Screen Rubber



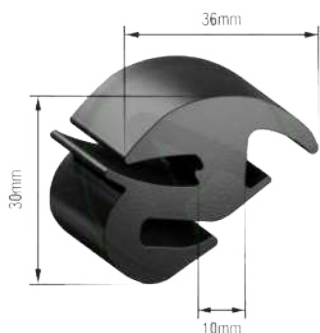
PR232 EPDM
Universal Morris Minor 850 Split Windscreen Rubber



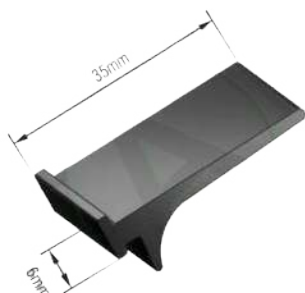
PR234 EPDM
Karmann Ghia W/S & R/S C-Beading Rubber



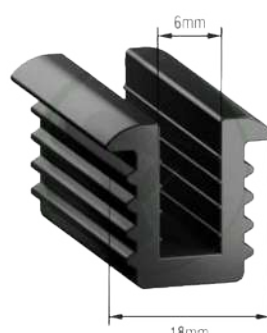
PR242 EPDM
Karmann Ghia W/S & R/S T-Beading Rubber



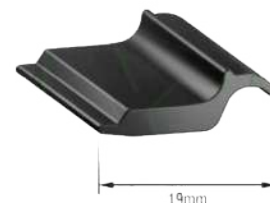
PR243 EPDM
Truck W/S Rubber



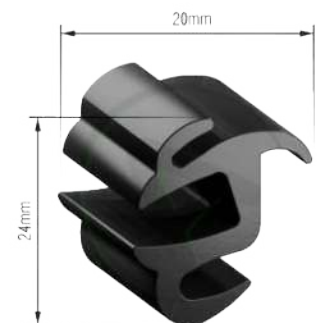
PR245 EPDM
Screen Trim For Finishing AC Cobra



PR246 EPDM
Rubber For Screen Frame AC Cobra



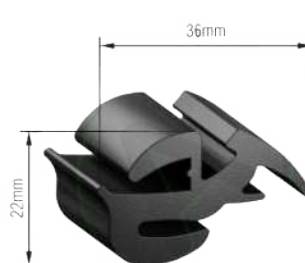
PR247 EPDM
Windscreen Trim Golf



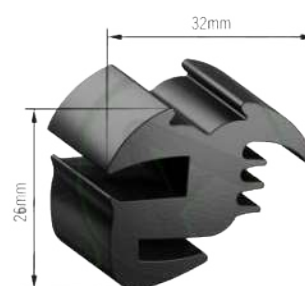
PR248 EPDM
Jaguar MK2 W/S rubber



PR249 EPDM
Old Chev Windscreen Rubber



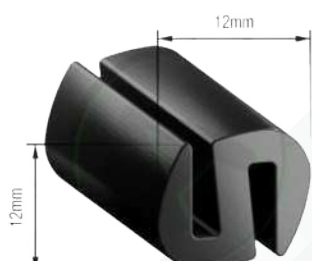
PR250 EPDM
Universal Alfa Windscreen and Rearscreen Rubber



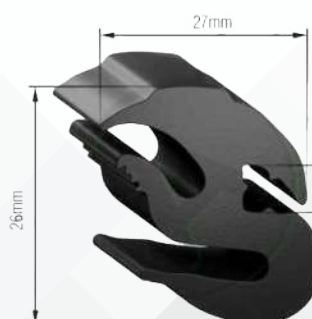
PR252 EPDM
FORD Cortina W/S & R/S Rubber for Chrome Beading



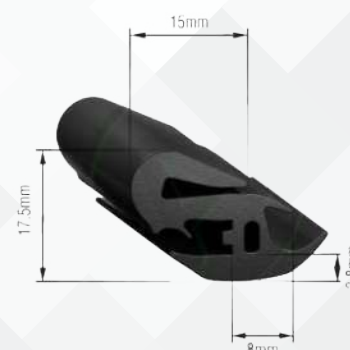
PR258 EPDM
Taxi Side Window



PR273 EPDM
Small S-Rubber - Used on control Panel Glass Panes



PR2281 EPDM
Golf Mk2 Rearscreen Rubber

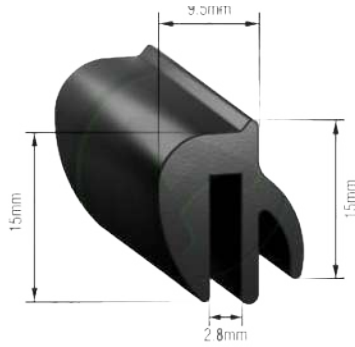


PR610 EPDM
H100 Rearscreen rubber



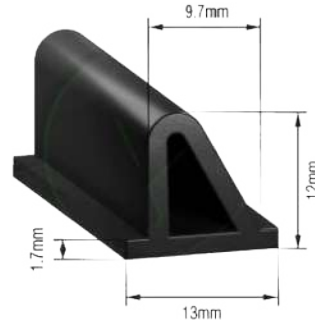
PR134 EPDM

VW back 1/4 Window Seal



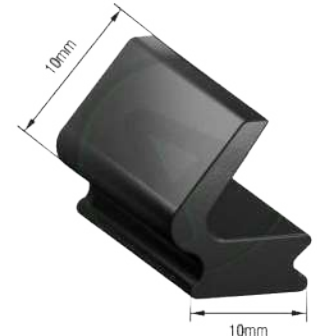
PR135 EPDM

Ford Anglia back 1/4 Rubber



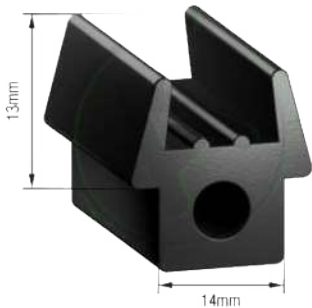
PR141 EPDM

Beetle front 1/4 seal



PR157 EPDM

Ford Anglia Back 1/4 Rubber



PR161 EPDM

Ford Anglia Front 1/4 Rubber



PR162 EPDM

Alfa Junior 1/4 Window seal



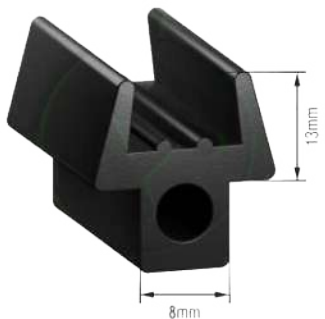
PR179 EPDM

VW Fleetline Side Window seals Open



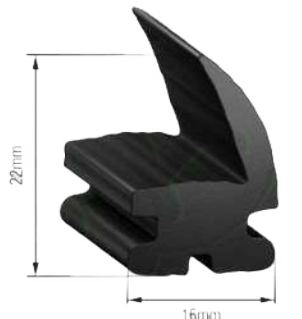
PR1138 EPDM

1/4 Vent Seal



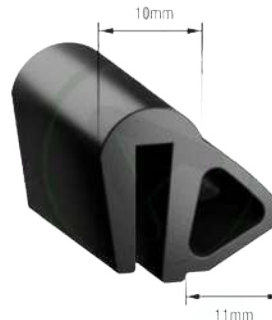
PR1283 EPDM

1/4 Vent seal



PR2252 EPDM

1/4 Vent Seal



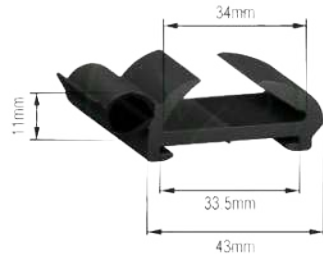
PR332 EPDM

Universal back 1/4 windows on the Leyland



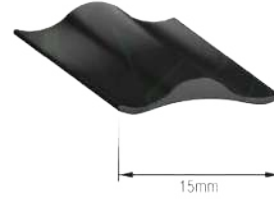
PR3327 EPDM

Caravan Window frame seal



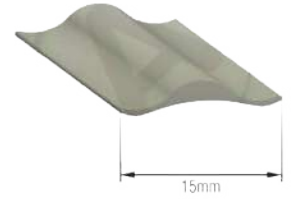
PR612 EPDM

Caravan Window Frame Seal



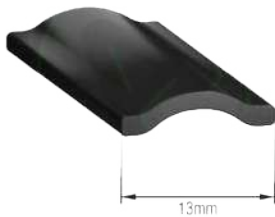
PR490B PVC

Thin Aluminium Trim Black



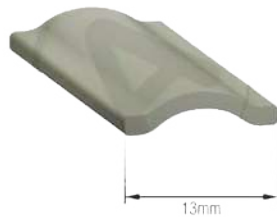
PR490W PVC

Thin Aluminium Trim White



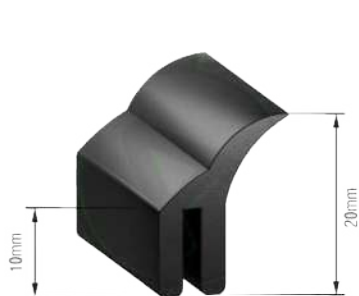
PR491B PVC

Thick Aluminium Trim Black

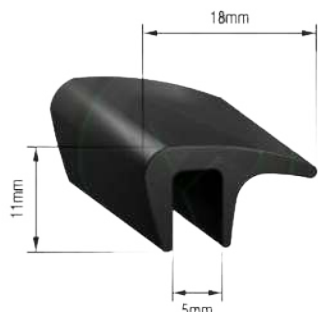


PR491W PVC

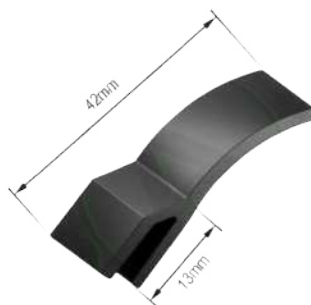
Thick Aluminium Trim White



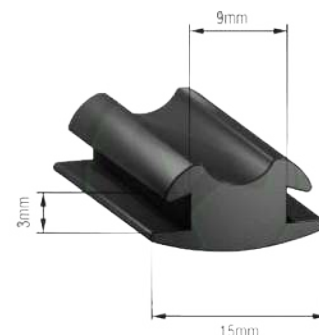
PR1110 EPDM
Canopy Seal



PR1156 EPDM
Canopy Seal



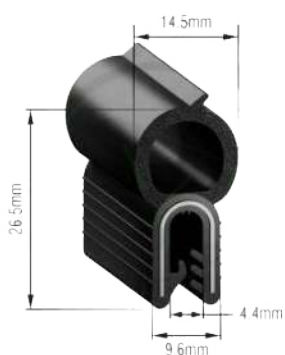
PR278 EPDM
Canopy Roof Seal



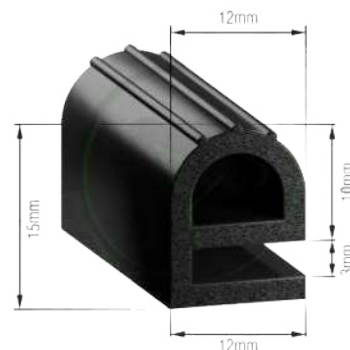
PR2215 EPDM
Canopy Frame Wedge/
Roof rack wedge



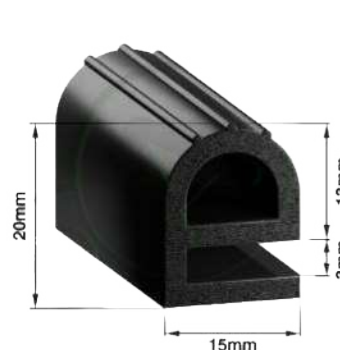
PR310 EPDM/Sponge
Universal door seal



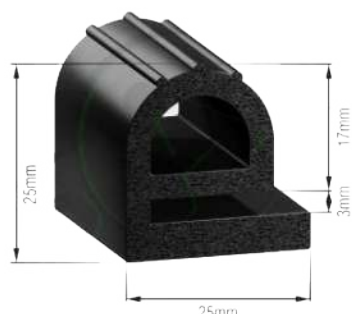
PR315 EPDM/Sponge
Universal bootseal, VW, Nissan,
Toyota, Mazda



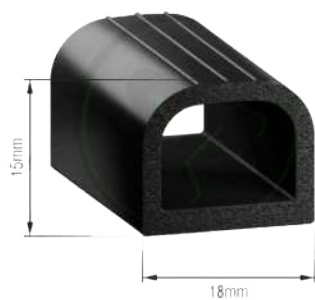
PR316 EPDM/Sponge
Universal Small E Seal used
on canopies and various lid seals



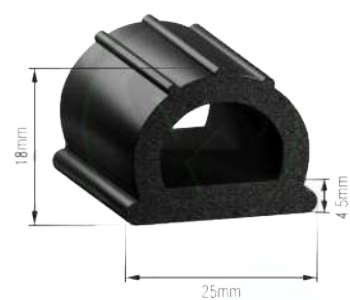
PR317 EPDM/Sponge
Universal Medium E Seal used
on canopies and various lid seals



PR318 EPDM/Sponge
Universal Large E Seal used
on canopies and various lid seals



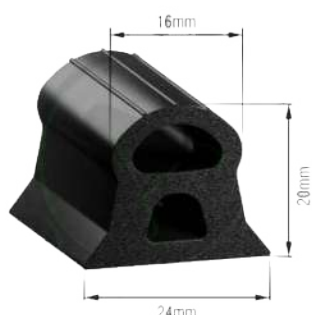
PR320 EPDM/Sponge
Universal Medium D Seal used
on canopies and various lid seals



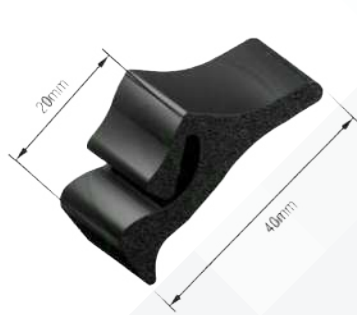
PR321 EPDM/Sponge
Universal Large D Seal used
on canopies and various lid seals



PR322 EPDM
Universal doorseal for Canopies



PR325 EPDM/Sponge
Universal Double D Seal used
on canopies and various lid seals



PR343 EPDM/Sponge
Canopy seal



PR356 EPDM/Sponge
Universal Canopy lid seal

RUBBERFIT

We fit the best, best.

Now Available At

GLASFIT

We fit the best, best.

For more information on our products,
contact our **sales team**

GlasFit Windhoek

 083 334 4410

 windhoeksales1@glasfitnam.com

 1 Diesel Street, Southern Industrial Area, Windhoek, Namibia